

# E-MOBILITY

## HIGH VOLTAGE MEASUREMENT TECHNOLOGY

■ ■ ■ ■ ■ ADAPTATION ■ ■ ■ ■ ■

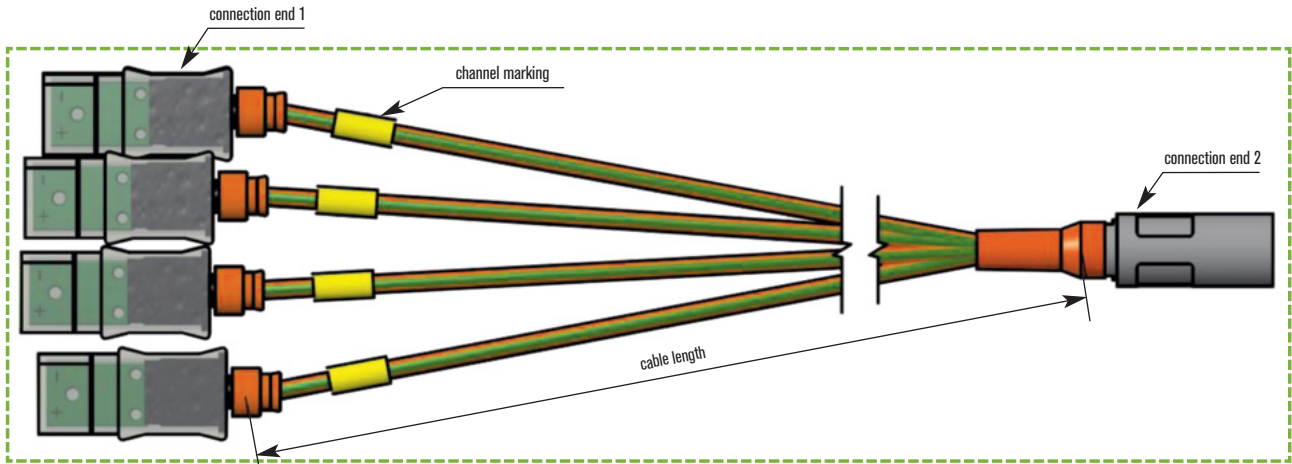


Adaptation  
Test bench measurement  
Sensors

# MOBILE MEASUREMENT TECHNOLOGY

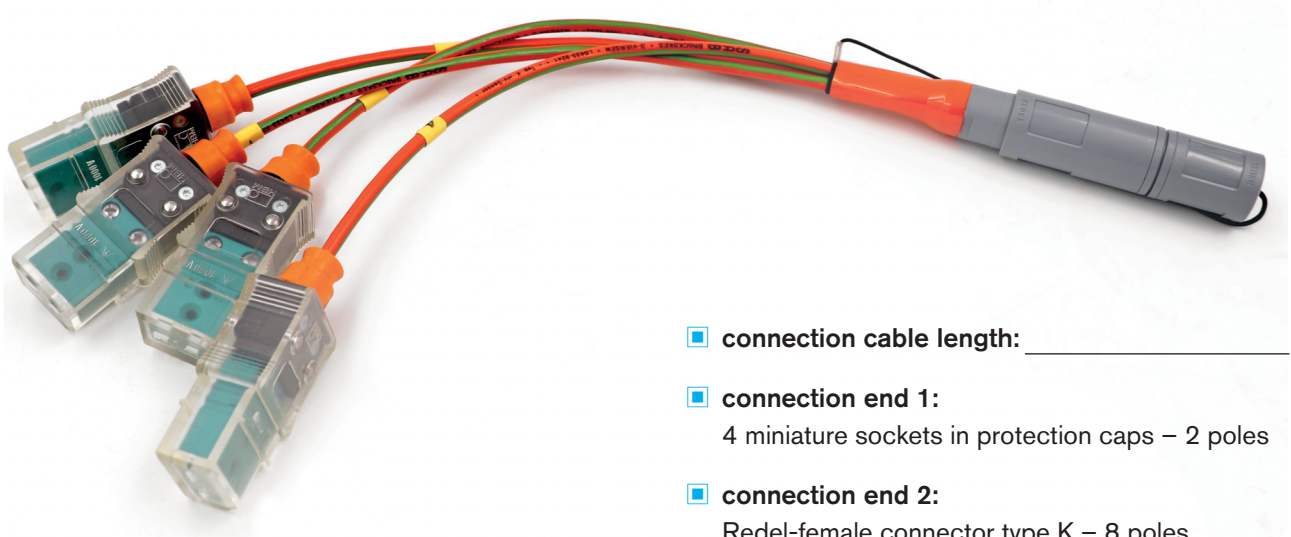
## REDEL-MALE CONNECTOR TO HBM

HV adaptation Redel / HBM systems



scoop-proof area

High voltage sensors in road tests are used with the 4-channel type K measuring system with high IP protection class, e.g. high voltage modules from CSM (HVTHMM). For test bench applications other transducers are used (e.g. HBM QuantumX). This adapter offers the possibility to adapt HV sensors in **4-channel version with Redel Push/Pull connector to the 4 x 1 channel QuantumX connector**.



- **connection cable length:** \_\_\_\_\_
- **connection end 1:**  
4 miniature sockets in protection caps – 2 poles
- **connection end 2:**  
Redel-female connector type K – 8 poles
- **marking:**  
standard: channel 1 - 4  
special: \_\_\_\_\_

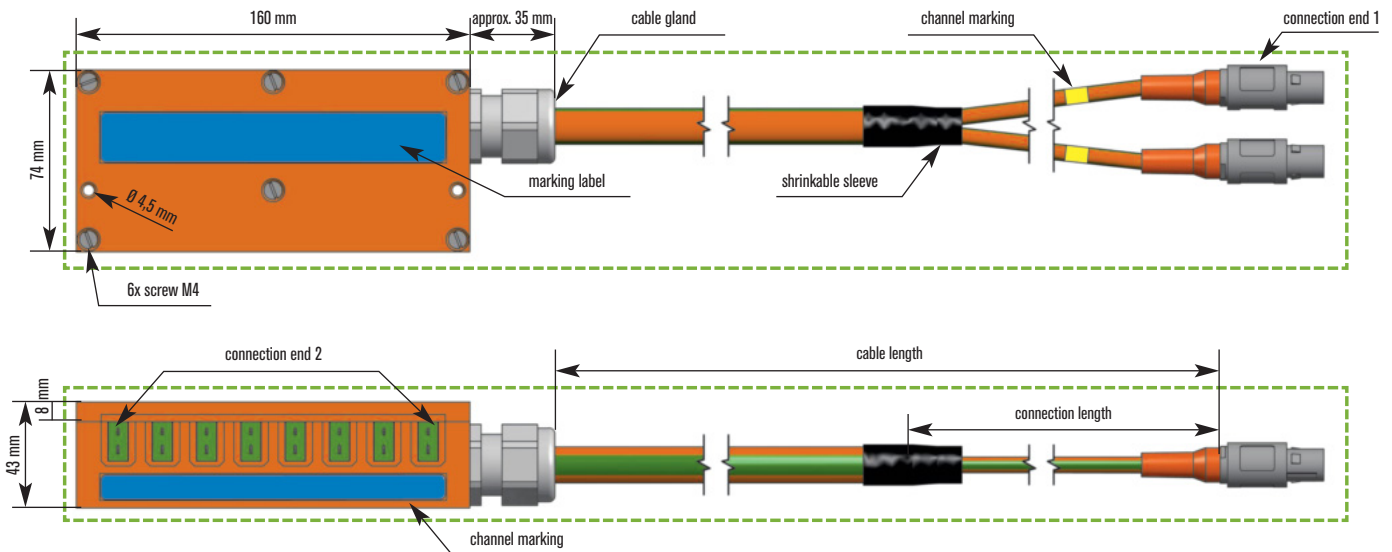
### CONFIGURATION EXAMPLE

item no.	cable length (mm)
T141-059-113	200

# MOBILE MEASUREMENT TECHNOLOGY

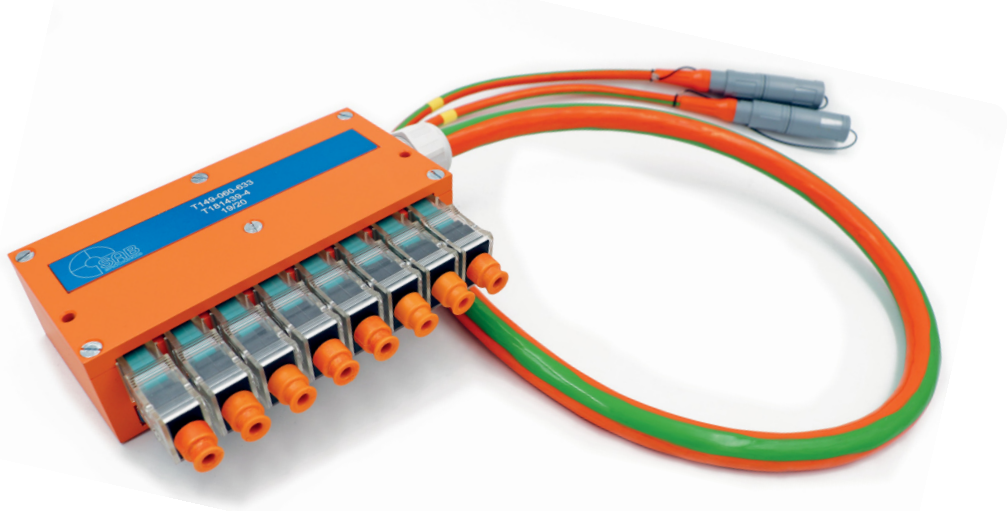
## HBM QUANTUM X TO REDEL-MALE CONNECTOR

HV measuring technology / adaptation / different measuring systems



scoop-proof area only when plugged in or with protection cap (illustration without protection cap)

High voltage sensors in road tests are used with the 4-channel type K measuring system with high IP protection class, e.g. high voltage modules from CSM (HVTHMM). For test bench applications other transducers are used (e.g. HBM QuantumX). This adapter offers the possibility to adapt **8 x 1 channel HV sensors for QuantumX modules to 2 x 4-channel Redel Push/Pull connector**.



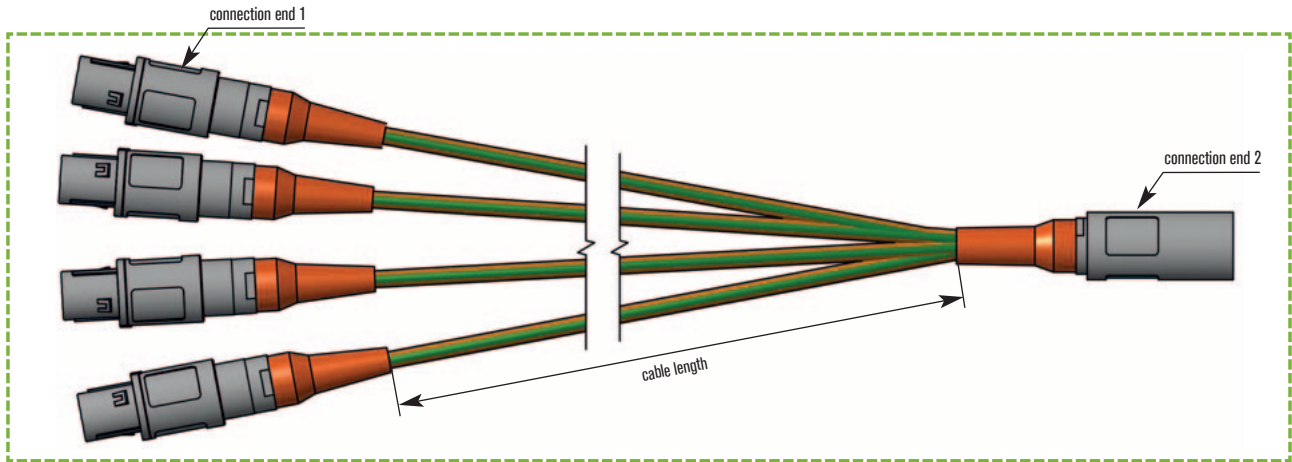
- connection cable length: \_\_\_\_\_
- stripped length: \_\_\_\_\_
- connection end 1:  
plastic housing for the connection of 8 HBM miniature sockets with protection caps – 2 poles
- connection end 2:  
Redel-male connector type K – 8 poles

- marking:  
standard: channel 1 - 4 and channel 5 - 8  
special: \_\_\_\_\_
- dimensions plastic plug connector:  
160 x 74 x 43 (LXBXH)

CONFIGURATION EXAMPLE	
item no.	cable length (mm)
T149-060-633	1000

# MOBILE MEASUREMENT TECHNOLOGY

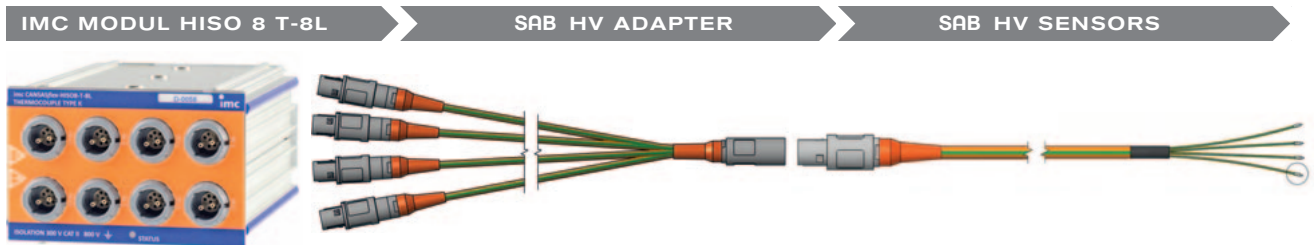
## 4 X 1-CHANNEL REDEL-MALE CONNECTOR TO 4-CHANNEL REDEL-FEMALE CONNECTOR HV adaptation



scoop-proof area

The wide range of different high voltage systems requires highest flexibility to connect the sensors to the measurement technology. With the help of the above shown adapter you can adapt the 4 channel HV thermocouples to the different modules without any problem as for example the imc CANSASflex-HIO8-T-8L or the M-THERMO2 HV of Ipetronik.

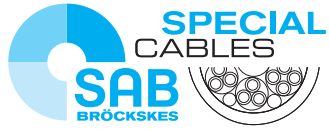
### EXAMPLE MEASURING CHAIN



- connection cable length: \_\_\_\_\_
- connection end 1:  
Redel-male connector 4 x type K – 2-poles
- connection end 2:  
Redel-female connector type K – 8-poles
- marking:  
standard: channel 1 - 4  
special: \_\_\_\_\_

#### CONFIGURATION EXAMPLE

item no.	cable length (mm)
T141-062-515	300



**SAB** Bröckskes GmbH & Co. KG  
 Grefrather Str. 204 - 212 b  
 41749 Viersen · GERMANY  
 Tel.: +49/2162/898-0  
 Fax: +49/2162/898-101  
 www.sab-cable.com  
 info@sab-cable.com