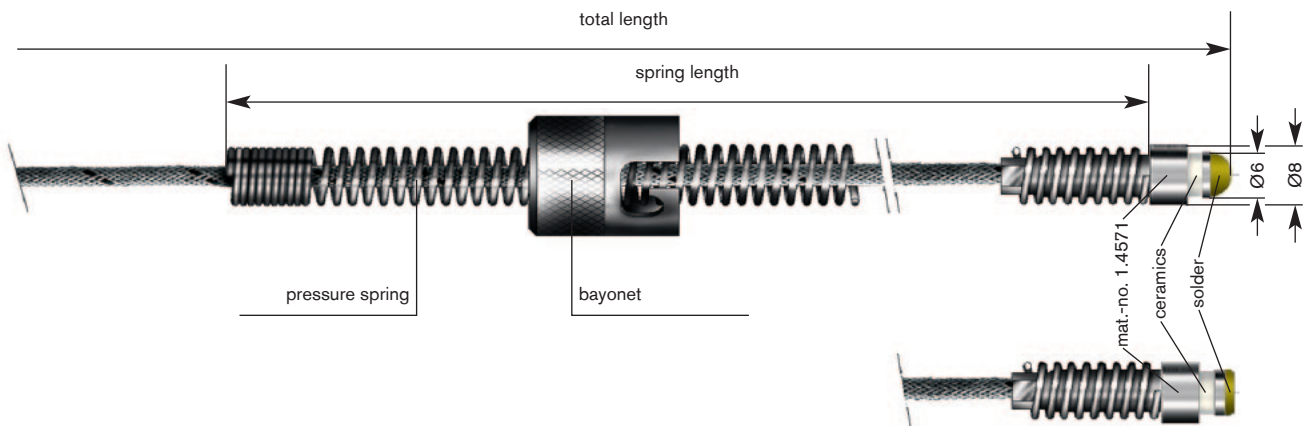


THERMOCOUPLES

PLUG-IN THERMOCOUPLE T247



■ For the temperature collection at plastics processing machines. Fixing by bayonet joint. Bayonet freely adjustable on spring. The steel wire armoring of the connection cable is used as mechanical protection.



Due to the integrated ceramic as thermal insulation, an excellent response time is guaranteed.

Also available in type K, T or L* and classes 1 or 2.

* type L acc. to DIN 43710

Thermocouple - class 2, form B:

- 1 x type J
- 1 x type K
- other thermocouples: _____

Ring type:

- Ø 14 / 4,5 mm CuSn 6
- _____

Nominal length: _____ mm

Type:

- with kink protection (shrinkable sleeve)
- with fiberglass sleeve (shrinkable sleeve)

Connection cable:

(see also survey of connecting cables for thermocouples)

- extension cable strand/fiber glass/fiber glass/
stainless steel wire armoring +400°C
- extension cable strand/PFA/fiber glass/
stainless steel wire armoring +250°C
- _____

Cable length: _____ m

Connection ends:

- miniature thermoplug
- miniature socket
- standard plug
- Lemo plug type _____
- clips
- Lemo socket type _____
- bare ends
- other cable ends _____



The above mentioned technical data are standard data.

Individual parameters, e. g. connection cable, insulated type, spring length, bayonet or cable end can be added or modified on request.