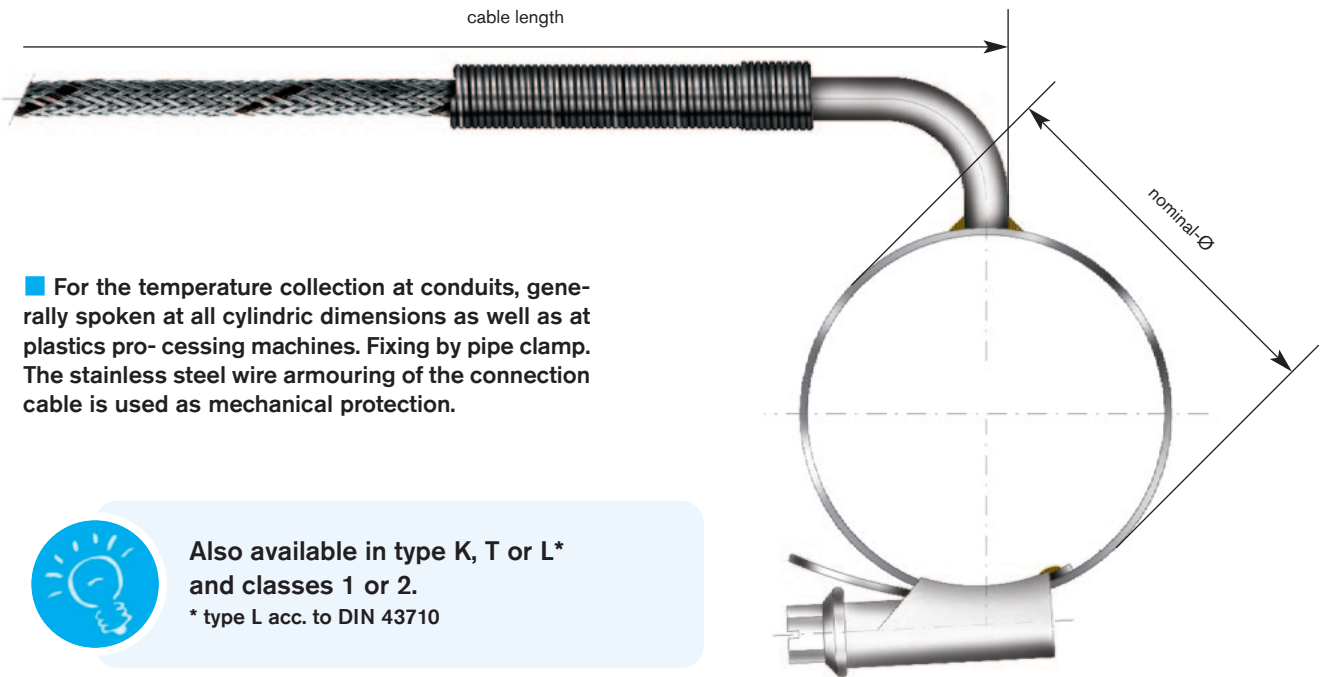


THERMOCOUPLES

PIPE-CLAMP THERMOCOUPLE T286



■ For the temperature collection at conduits, generally spoken at all cylindric dimensions as well as at plastics pro- cessing machines. Fixing by pipe clamp. The stainless steel wire armouring of the connection cable is used as mechanical protection.



Also available in type K, T or L* and classes 1 or 2.
* type L acc. to DIN 43710

Thermocouple - class 2:

- 1 x type J
- 1 x type K
- other thermocouples: _____

Measuring point:

- soldered with pipe clamp

Material:

- 1.4541

Material pipe clamp:

- 1.4016

Clamping range:

- 25 ... 40 mm
- _____ mm

Nominal diameter:

- 32 mm
- _____ mm

Diameter:

- Ø 6,0 mm

Temperature range:

- +400°C

Connection cable:

(see also survey of connecting cables for thermocouples)

- extension cable strand/fiber glass/fiber glass/
stainless steel wire armouring +400°C
- extension cable strand/PFA/fiber glass/
stainless steel wire armouring +250°C
- _____

Cable length: _____ m

Connection ends:

- miniature thermoplug
- standard plug
- clips
- bare ends
- miniature socket
- Lemo plug type _____
- Lemo socket type _____
- other cable ends _____



The above mentioned technical data are standard data.

Individual parameters, e. g. connection cable, double thermocouple, pipe-clamp-Ø or cable end can be added or modified on request.