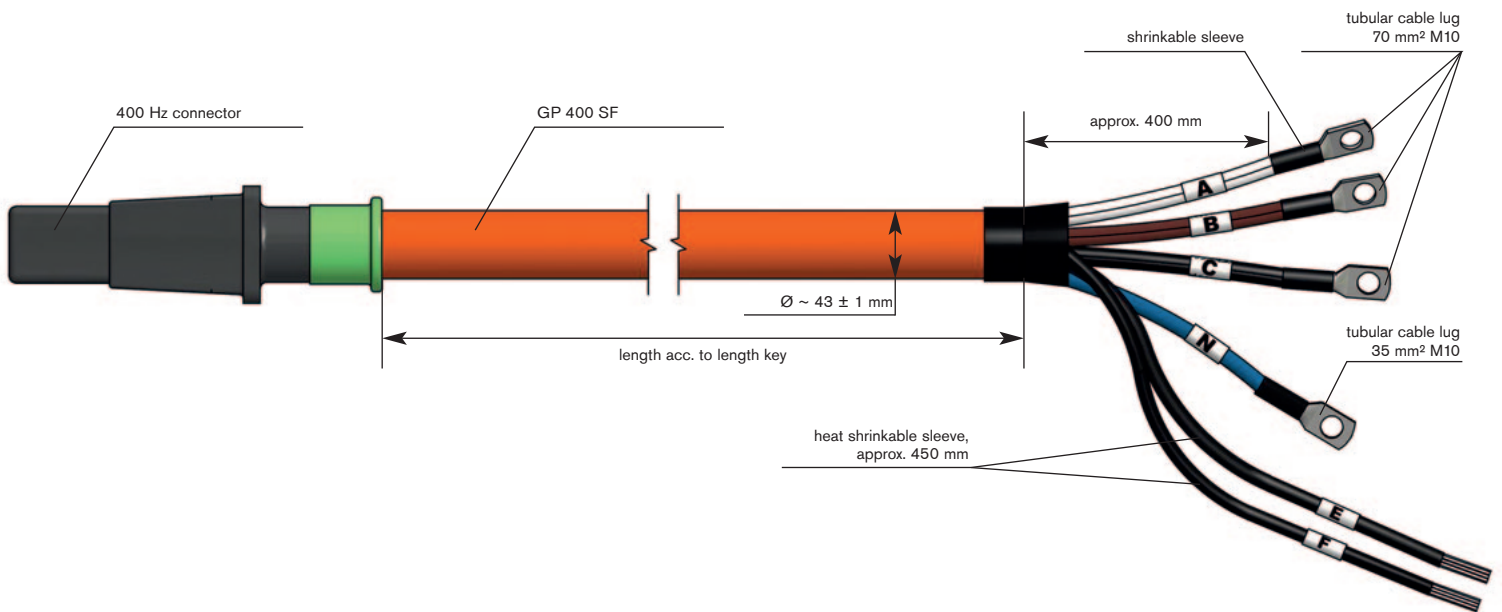


400 Hz Ground Power

SAB 400 Hz cable for mobile GPUs with connectors



Pin assignment:

400 Hz connector	cable	connection piece
pin A	2 x wh (35 mm ²)	tubular cable lug 70 mm ² , M10
pin B	2 x bn (35 mm ²)	tubular cable lug 70 mm ² , M10
pin C	2 x bk (35 mm ²)	tubular cable lug 70 mm ² , M10
pin N	1 x bu (35 mm ²)	tubular cable lug 35 mm ² , M10
pin E	cores 1-9 (1 mm ²)	cores pulled into shrinkable sleeves, core ends untreated
pin F	cores 10-18 (1 mm ²)	

Weight:

connector and tubular cable lugs	cable
approx. 3 kg	approx. 3,2 kg/m

Configuration examples:

item no.	length „L“ in cm
S3400-3003-01000	100
S3400-3003-02000	200