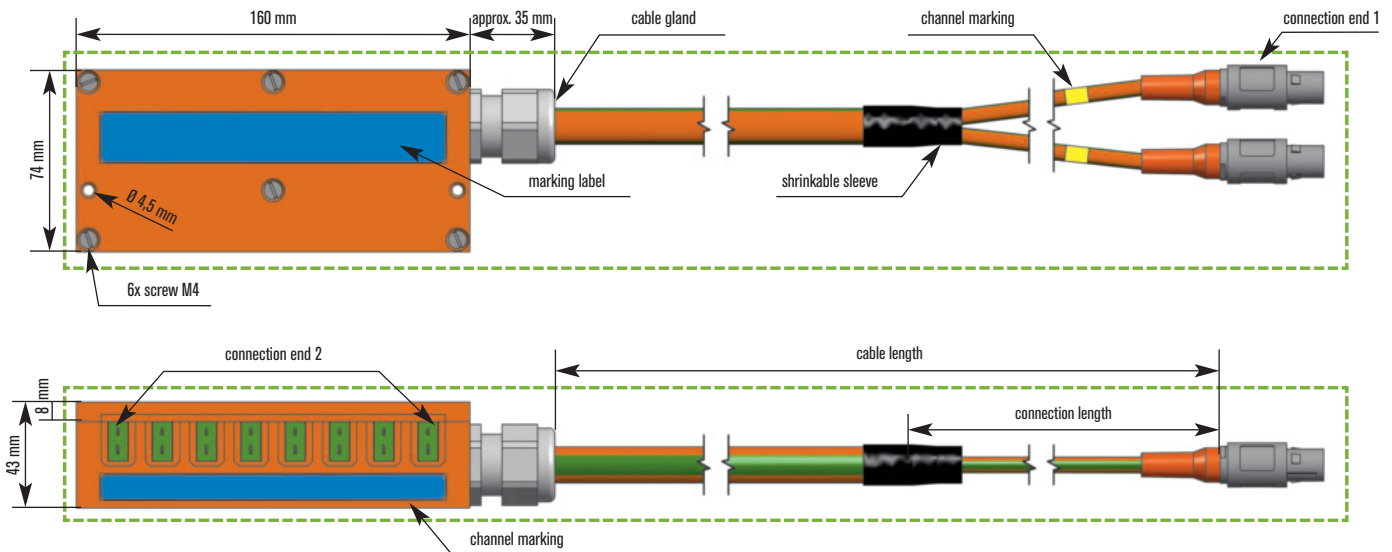


# MOBILE MEASUREMENT TECHNOLOGY

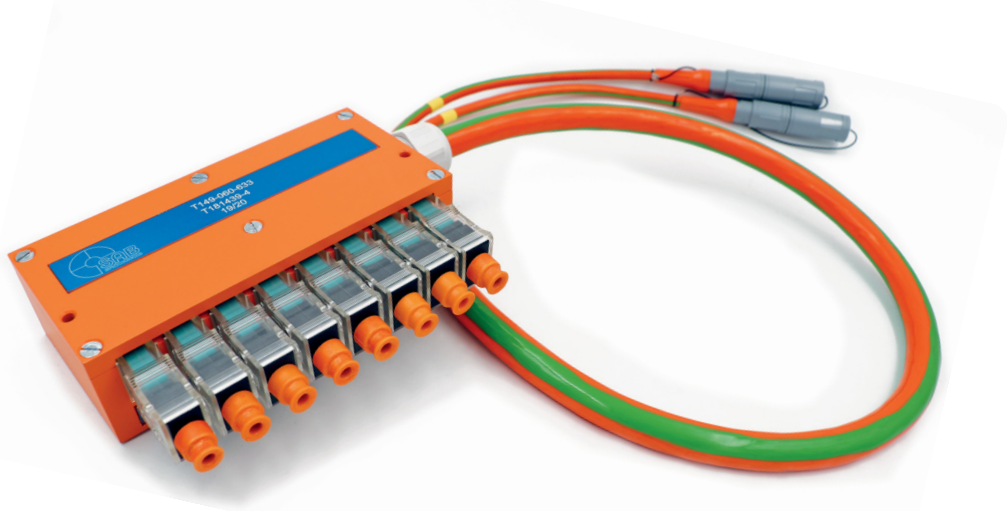
## HBM QUANTUM X TO REDEL-MALE CONNECTOR

HV measuring technology / adaptation / different measuring systems



scoop-proof area only when plugged in or with protection cap (illustration without protection cap)

High voltage sensors in road tests are used with the 4-channel type K measuring system with high IP protection class, e.g. high voltage modules from CSM (HVTHMM). For test bench applications other transducers are used (e.g. HBM QuantumX). This adapter offers the possibility to adapt **8 x 1 channel HV sensors for QuantumX modules to 2 x 4-channel Redel Push/Pull connector**.



- connection cable length: \_\_\_\_\_
- stripped length: \_\_\_\_\_
- connection end 1:  
plastic housing for the connection of 8 HBM miniature sockets with protection caps – 2 poles
- connection end 2:  
Redel-male connector type K – 8 poles

- marking:  
standard: channel 1 - 4 and channel 5 - 8  
special: \_\_\_\_\_
- dimensions plastic plug connector:  
160 x 74 x 43 (LXBXH)

CONFIGURATION EXAMPLE	
item no.	cable length (mm)
T149-060-633	1000