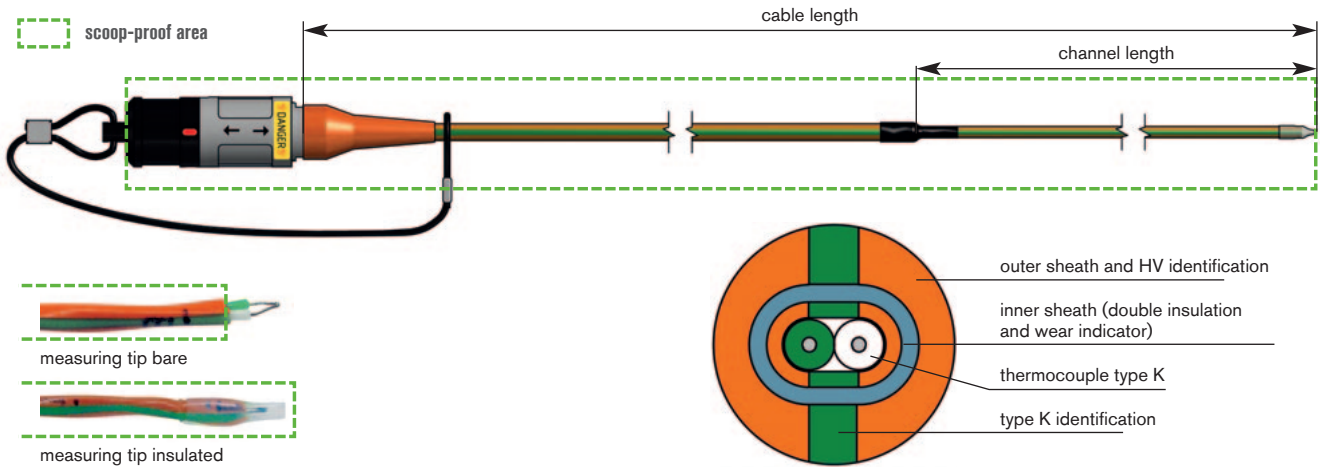


## HV temperature sensor type K

HV 1-channel thermocouple



### Application range:

Safe HV temperature measurement in HV environments

### Connector:

Lemo Redel male connector with orange kink protection sleeve and black protecting cap, 2-pin, C-coded 1000 V AC voltage-stable – IP 67 when connected

### Sensor:

Thermocouple:	1 x type K
Limit deviation:	class 1
Measuring point:	bare or electrically insulated (1000 V)
Temperature range single channel:	-40°C / +180°C
Response time:	on request

### Cable data:

Connection cable:	HV thermo cable type K
Insulation:	FEP – green and white
Pair sheath:	FEP – orange with green vertical stripes
Inner sheath:	FEP – blue acc. to RAL 5024
Outer sheath:	PUR
Sheath colour:	orange with green vertical stripes
Stranding:	paired construction (for EMC)
Outer diameter:	approx. 3,4 mm
Dielectric strength:	1000 V AC over single channel
Temperature range fixed laying:	-50°C / +150°C
flexible application:	-40°C / +150°C
Special characteristics:	contact protection over single channel ✓

### Tests:

#### ► Cable test

over pair sheath in water bath – 5000 V AC – 5 min – with reference to EN 50264-2-1

#### ► Sensor test

routine test of harnessed connector with reference to standard 61010-1 for measuring devices as well as VDE indications in our in-house ball bath (released by VDE). Control of contact protection towards outside – 3000 V/1 min AC

*Issue of HV test certificate with reference to batch number due to optimum traceability*

*Optional: Test and repair of already used sensors on request*

### CONFIGURATION EXAMPLES

item no.	connection cable length [mm]	single channel length [mm]	type of measuring tip
		channel 1	measuring tip
T141-059-052	2400	400	insulated
T141-058-124	3000	400	bare

Total cable and channel lengths can be realised on customer's request.

### SAB identification:

item number, batch number