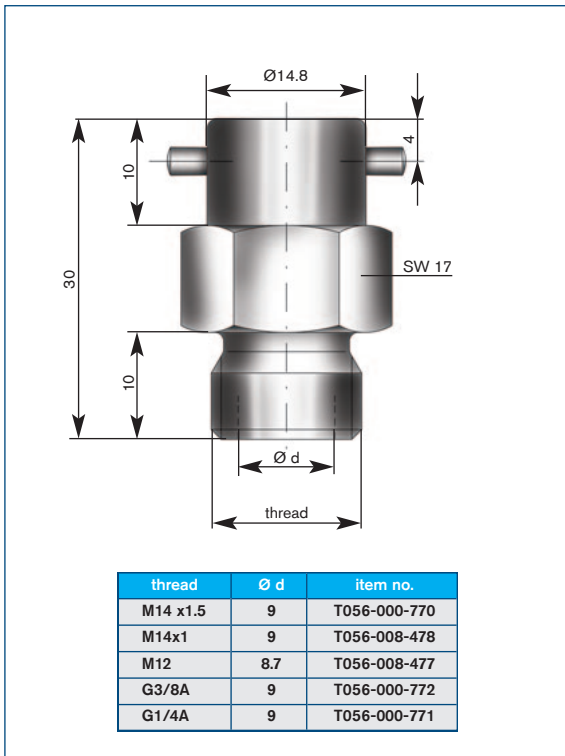
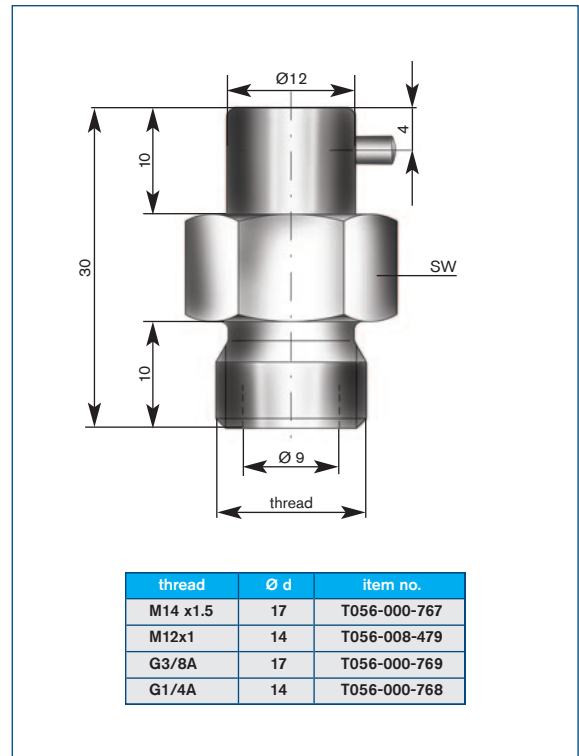


NIPPELS

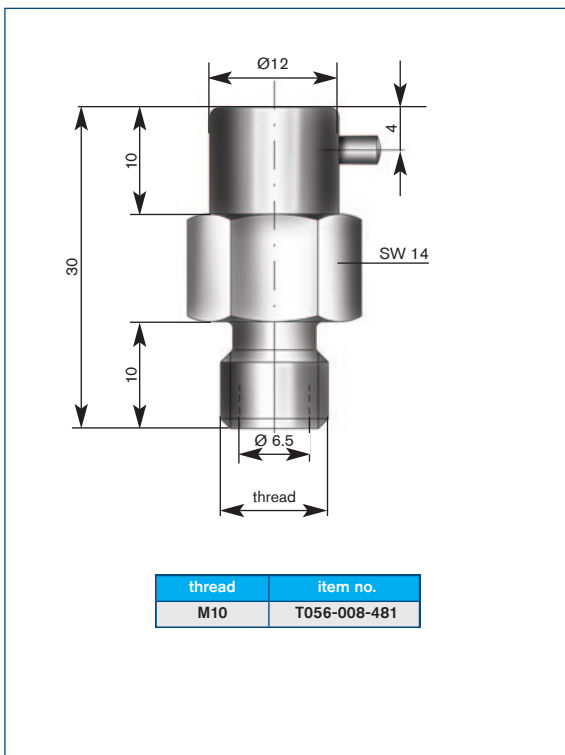
form A · probe-Ø max. 8 mm



form B · probe-Ø max. 8 mm



form C · probe-Ø max. 6 mm



form C · probe-Ø max. 8 mm

